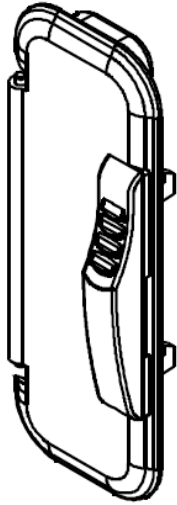


Technical Update

Issue Number: **TU459**
Author: **J. Sidaway**
Page: **1 of 2**
Issue Date: **10 / 03 / 11**
Valid Period: **N/A**

Product Description:	C & E SERIES WIDESCREEN MULTI FUNCTION DISPLAY(S)
Product Code(s):	E62111 / E62113 / E62115 / E62220 / E62223 / E62226
Effective Start Date:	➤ 0700001 : JUNE 2010
Subject:	CHART DOOR / HINGE MODIFICATION



Both C & E Series Widescreen Multi Function display products have identical chart doors in which, the chart door was designed to be opened, with the clip-on front bezel installed, to a maximum of 140°; however, the chart door has been reported to release itself from either or both hinge points located on the front panel when the chart door is opened beyond the 140°, as a result, of the chart door clashing with the mating front panel surrounding the hinge cut-out and on occasions, with the report of damage to the front panel hinge area.

Therefore, a proposed solution is to remove a section from the hinge area in the chart door to relieve the interference and allow unrestricted opening of the chart door with the clip-on front bezel installed.

WARRANTY ALLOWANCE:

YES

NO

MAXIMUM WARRANTY LABOUR TIME:

maximum labour allowance to complete modification / repair...

minutes

Please follow the Raymarine warranty claim process for additional labour, travel and mileage

DISTRIBUTION LIST:

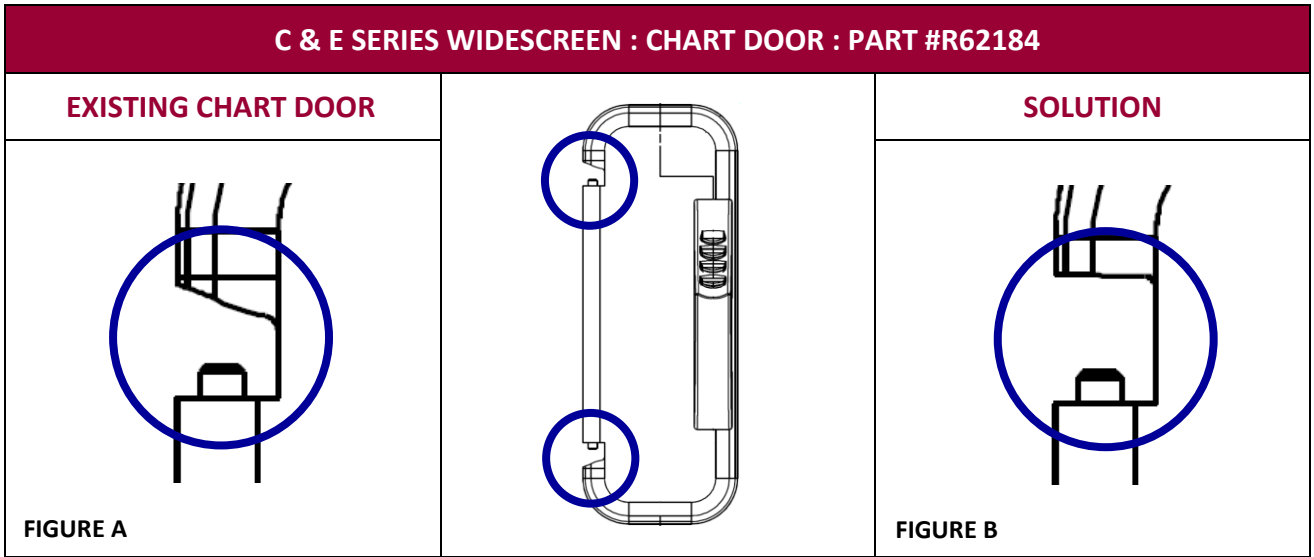
- RAYMARINE & SUBSIDIARY
- DISTRIBUTOR & SERVICE DEALER
- INSTALLING DEALER
- BOATBUILDER / OEM
- KEY STOCKIST / RETAILER

- Add to Raymarine website – Dealer Area
- Generate FAQ – Raymarine website – Public Area

INFIELD ACTIONS:

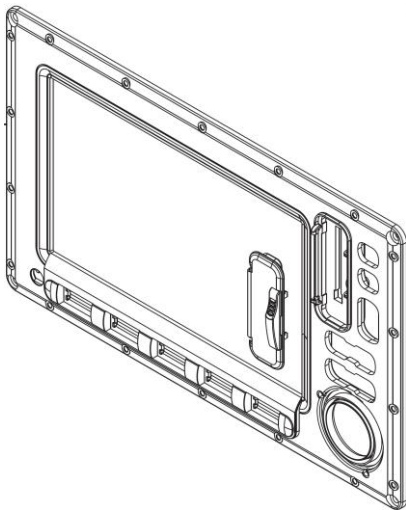
- ACTION AT NEXT ROUTINE SERVICE

- HOLD STOCK
- REWORK STOCK
- RECALL STOCK
- RECALL CUSTOMER PRODUCT



The existing chart door had a chamfer in the hinge area as illustrated in **FIGURE A**, in order to allow unrestricted opening of the chart door, the chamfer can be easily removed by using a sharp blade to create a hinge area as illustrated in **FIGURE B**.

Please note if the chart door is found to release from the hinge points with ease then it is very likely the hinge area of the front panel has been damaged. With damage to the hinge area, the complete front panel assembly will need to be replaced; the replacement front panel is supplied with a modified chart door.



Please note if the situation arises that the chart door on the C or E Series Widescreen display unit is found that the hinge area of the front panel has not been damaged and a previous chart door is in place, Raymarine encourage for the above modification to be employed to prevent future mechanical failure due to customer mis-handling.

FRONT PANEL including CHART DOOR	
SPARES PART #	
R62191	C90W / E90W
R62192	C120W / E120W
R62193	C140W / E140W
NOTE: the chart door spare, #R62184, has been removed as an available spare	

At this time, Raymarine are **NOT** offering any warranty provision to complete this modification as the nature of failure is as a result of customer mis-handling; any exceptions must be managed through the Technical Support team and written substantiation **MUST** be provided.