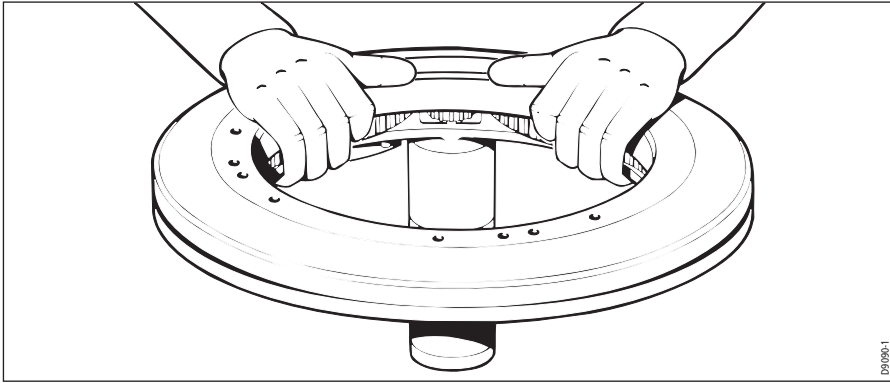


11. Grip the drive unit as shown and slowly insert the drive belt into the drive unit with both forefingers.



12. When you have inserted ALL of the drive belt into the drive unit, push the two halves of the drive unit until they 'click' together.

WARNING:
Keep your hands clear of the joint between the two case halves.

Attach the drive unit to the wheel as described in the autopilot owner's handbook.

Raymarine

Raymarine UK Ltd, Portsmouth, Hampshire, UK PO6 3TD
 Raymarine Inc. Merrimack, NH, 03054-4801, USA

Document number: 81023-4

+44 (0) 23 9269 3611
 Toll Free: 800-539-5539
 +1 603-881-5200

Date: February 2006

Wheel Drive

Service Kit Instructions

Introduction

This booklet provides instructions for the Wheel Drive service kit, part number D169.

We recommend servicing the wheel drive after 300 hours of autopilot operation or every two years (whichever comes sooner).

The service is straightforward and can be completed on board the boat. It involves replacing the main drive belt and checking the main roller bearings.

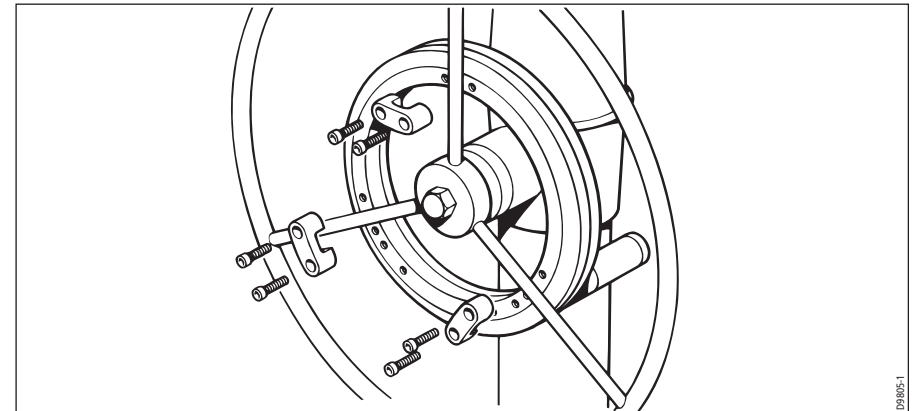
Service kit contents

This service kit contains:

- replacement drive belt
- separation tool

Service procedure

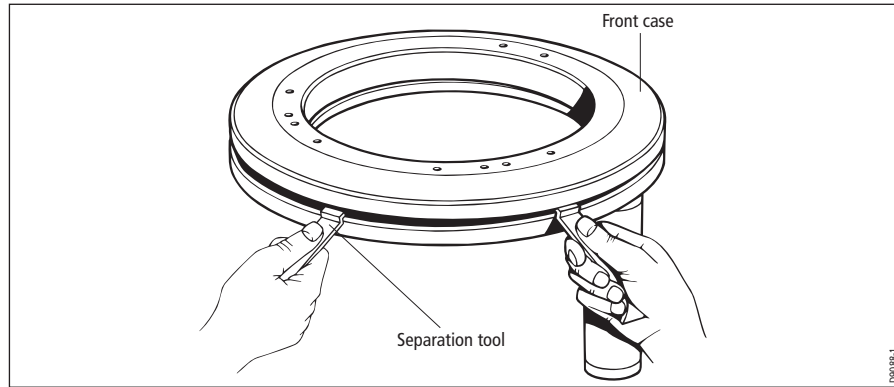
1. Remove the spoke clamp bolts to separate the drive unit from the wheel.



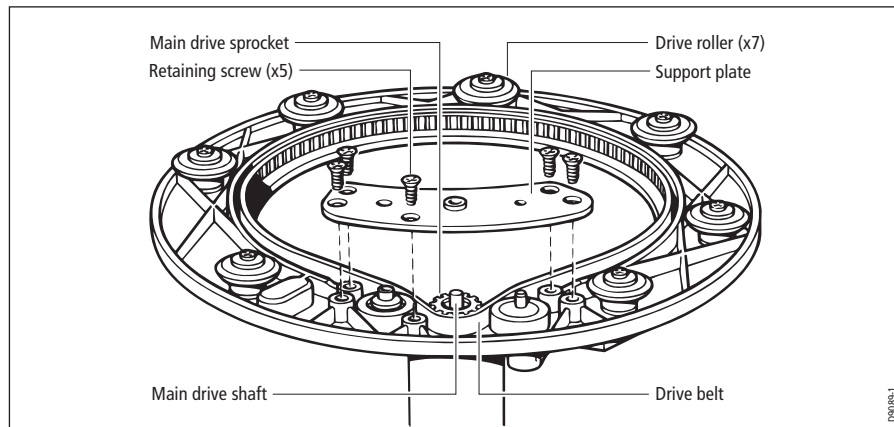
2. Support the drive unit and remove the wheel from the steering system.
3. De-clutch the drive unit.

Raymarine

4. Insert the separation tool between the two halves of the case (as shown) and lever off the front case.



5. Remove the support plate:
 - remove the five retaining screws
 - carefully lift the support plate off the main drive shaft



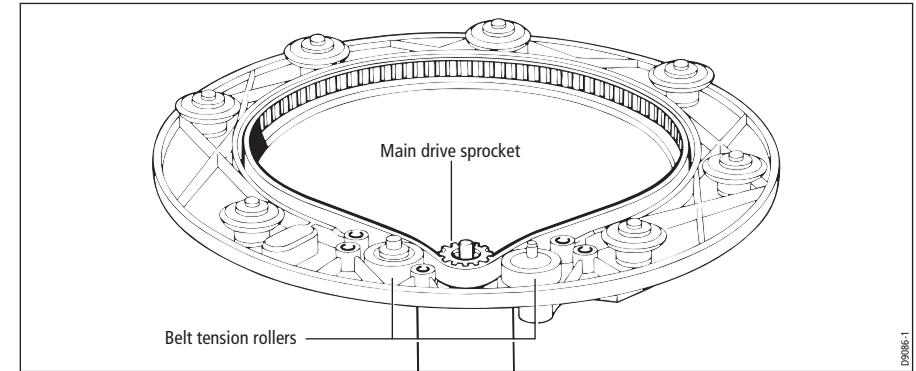
6. Lift out the old drive belt, taking care not to disturb the main drive sprocket.

Note: The drive sprocket is NOT secured to the drive shaft.

7. Check each of the drive rollers, and remove any dirt or debris.

CAUTION:
Do NOT use mineral oil-based lubricants on the drive rollers. These lubricants can weaken the drive roller material.

8. Fit the new drive belt (as shown) around the main drive sprocket and belt tension rollers.



9. Replace the support plate:
 - position the support plate over the main drive shaft
 - secure the plate with the five retaining screws.
10. Make sure the drive unit is de-clutched, then place the front case onto the rear case as shown.

