

## Z195, ST30 Wind Rotavecta Service Manual

Z195

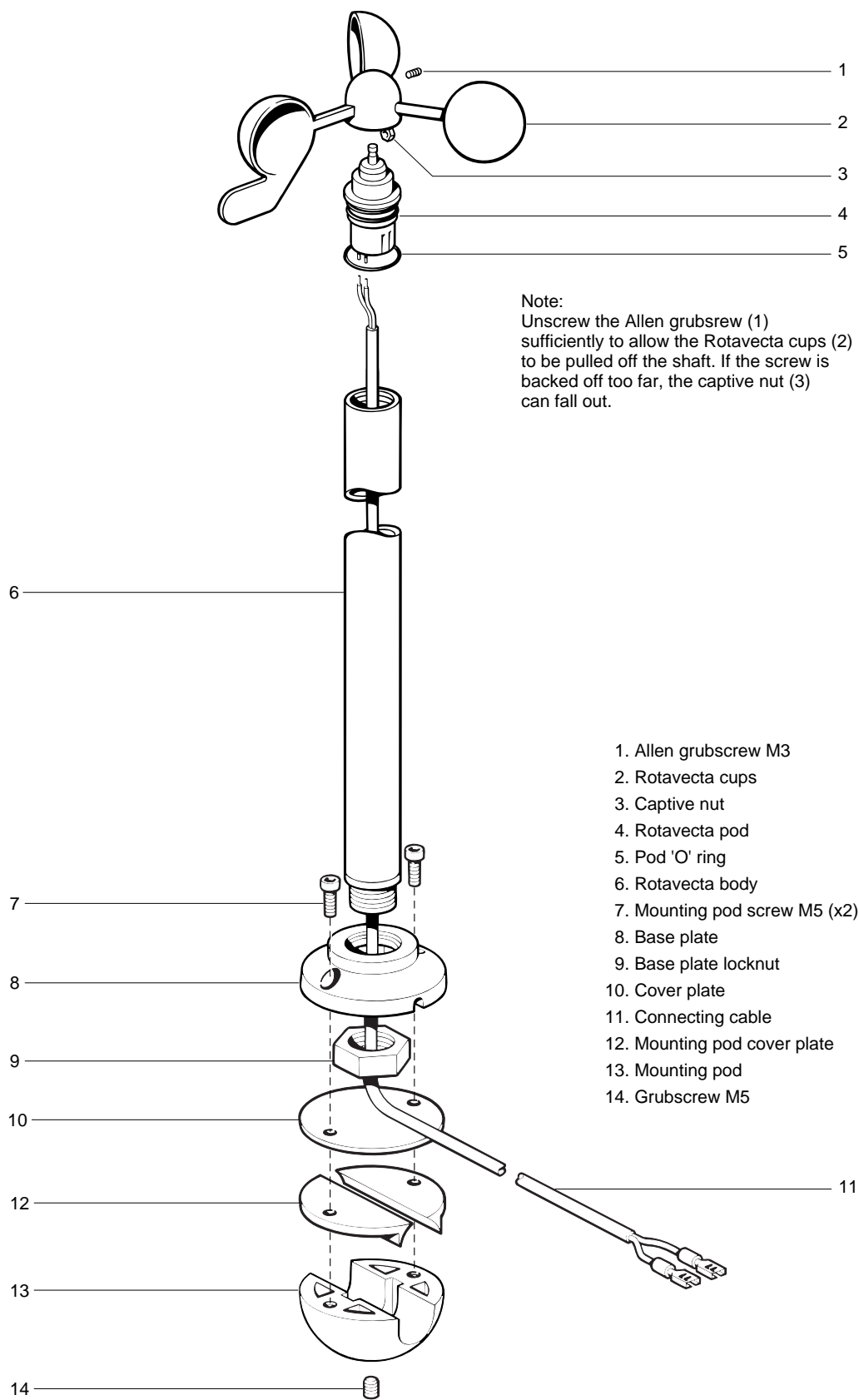
### Warning

#### CE Marking of Equipment/Replacement Parts

If the Autohelm equipment under repair, test, calibration, installation or setting to work carries the European CE mark, only parts and components supplied or approved for such use by Autohelm should be used in order to maintain compliance with the relevant CE requirements.

Incorporation, use or attachment, by any means, of parts or components not supplied for or not approved for such use by Autohelm or, if supplied or approved for use by Autohelm, not properly fitted in accordance with instructions published, provided or recommended by Autohelm, may cause the equipment to malfunction and, in particular, to become unsafe or to no longer meet the relevant CE requirements. In these circumstances, Raytheon Marine Europe Ltd excludes liability to the fullest extent permissible in law for any loss or damage including any liability for its contribution to such loss or damage by its negligent acts or omissions.

# Chapter 1. Dismantle/Assembly



Z195

Figure 1: ST30 Wind Rotavecta

D4033-1

## 1.1 Spare Parts List

### ST30 Wind Rotavecta

The **item** numbers refer to Figure 1: ST30 Wind Rotavecta.

Item	Spare Description	Part No.	Comments
1	Rotavecta transducer kit, <i>including</i> Allen grub screw M3	D240	
2	Rotavecta cups		
3	Captive nut M3		
4	Rotavecta pod assembly, <i>including</i> Rotavecta pod	Q113	
5	Pod 'O' ring		

## Chapter 2. PCB Details

### 2.1 Input/Output Signals (refer to Figure 2 Circuit Diagram)

Wire colour	Circuit diagram reference	Description
Red	P1	Current source
Blue	P2	Signal sense

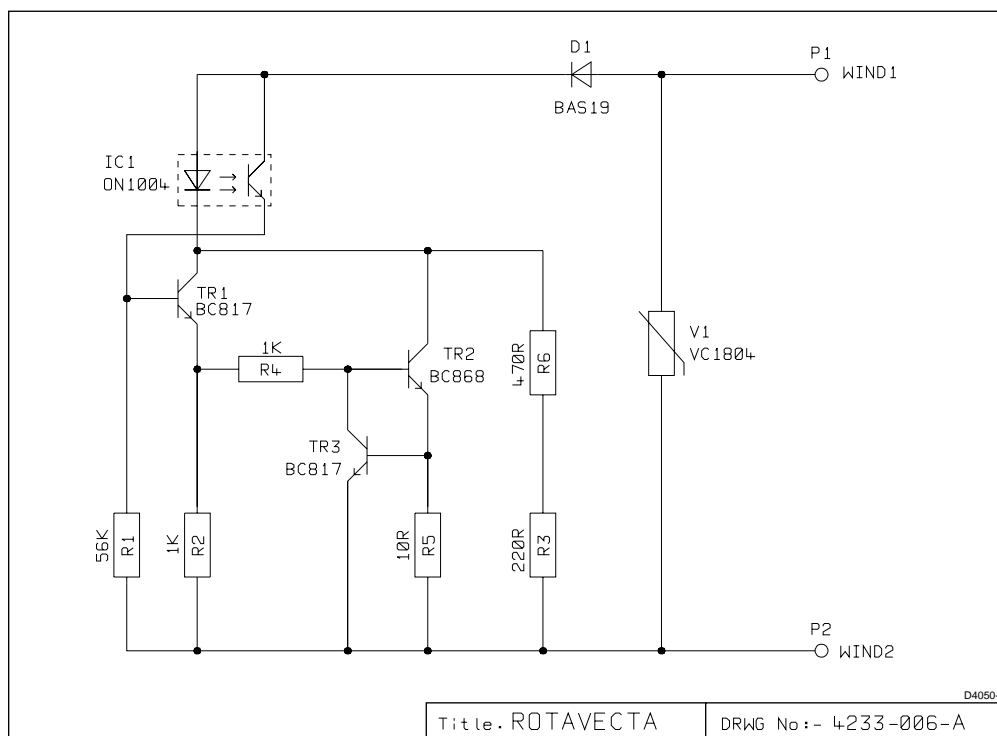


Figure 2: Circuit diagram

Z195

## 2.2 PCB Layout

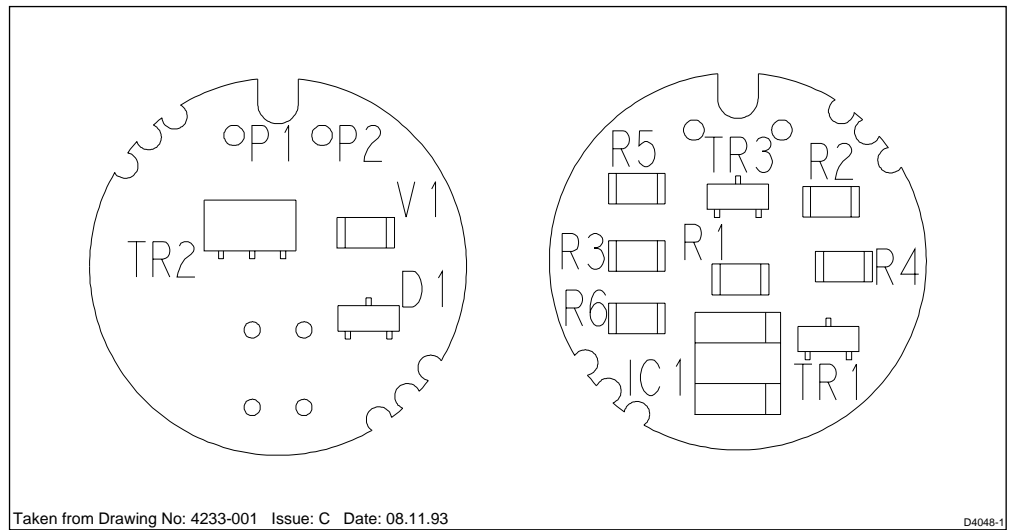


Figure 3: PCB component layout

### PCB components

9501BC868	BC868	TR2
9500BC817	BC817	TR1, TR3
9200BAS19	DIODE SOT23 BAS19	D1
9108VC180400	TRANSIENT VOLTAGE SUPPRESSOR	V1
910656K	RESISTOR 1206 56K	R1
910647470R	RESISTOR 1206 470R	R6
9106220R	RESISTOR 1206 220R	R3
910310R	RESISTOR 1206 10R	R5
91031K	RESISTOR 1206 1K	R2, R4
24010	B* VERO SOLDER PIN 18-0223K	P1, P2
06027	OPTO SWITCH	IC1
3015-074	ST30 WIND TRANS PCB	

Taken from Drawing No: 4233-001 Issue: C Date: 08.11.93

D4048-1

Z195

Raytheon Marine Company  
676 Island Pond Road  
Manchester  
New Hampshire 03109-5420

Tel: (001 603) 647 7530  
Fax: (001 603) 634 4756

Raytheon Marine Europe Limited  
Anchorage Park, Portsmouth  
Hampshire PO3 5TD

Tel: (01705) 693611  
Fax: (01705) 694642  
<http://www.raytheon.com>

---

**Raytheon Electronics**